



Discrete Lan Magnetics

You can rest assured to buy Discrete Lan Magnetics from JASN factory and we will offer you the best after-sale service and timely delivery. G72T07DB is compliant with IEEE 802.3ab standard and with DIP package.

Model:G72T07DB

JASN is a professional China Discrete Lan Magnetics G72T07DB manufacturer and supplier, if you are looking for the best Discrete Lan Magnetics with low price, consult us now!

Feature

Compliant with IEEE 802.3ab standard.

Comply with RoHS requirements.

Operating temperature range: 0°C to +70°C.

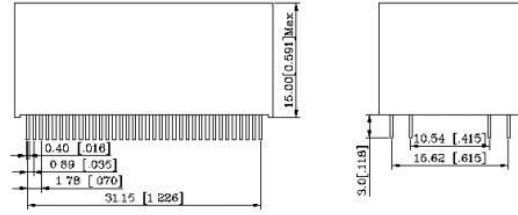
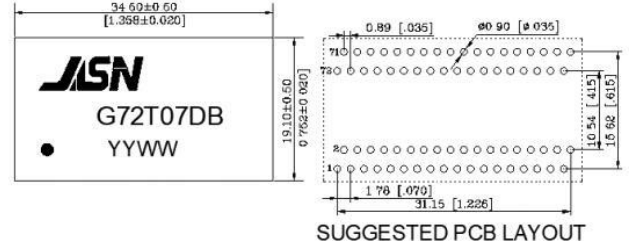
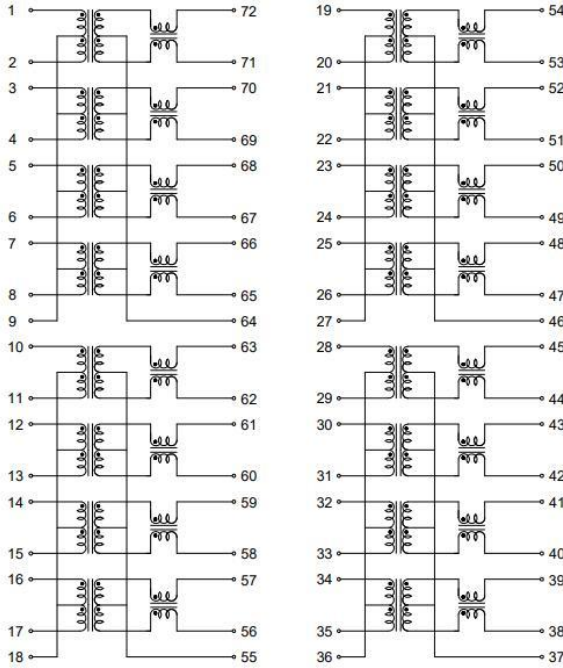
Storage temperature range: -20°C to +125°C.

Electrical Specifications @ 25°C

OCL:	350uH Min. @100KHz/0.1V with 8mA DC Bias				
Hi-POT :	1500VAC 1mA 2S				
Turn Ratio:	1:1±2%				
LK:	0.5uH Max @100KHz/0.2V				
Cw/w	120pF Max @100KHz/0.2V				
D.C.R:	1.4 ohm Max				
Insertion Loss:	1-100MHz: -1.0dB Max				
Cross Talk :	1-100MHz: -30dB Min				
	1-30MHz	40MHz	50MHz	60-80MHZ	80-100MHZ
Return Loss:	-18dB Min	-14.4dB Min	-13.1dB Min	-12dB Min	-10dB Min

Schematic

Mechanical



1. Unit: mm[inch]

2. Unless otherwise specified, all tolerances are ± 0.25 [.01]